

ROUND CABLE EMI CORES / LF TYPE

FEATURES

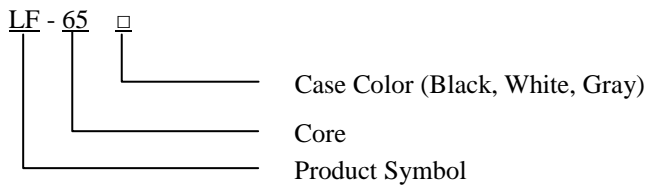
- ◆ Easy installation
- ◆ Internal dimensions are from 4mm to 19 mm diameter.
- ◆ The smooth surface prevents damage to wire insulation.



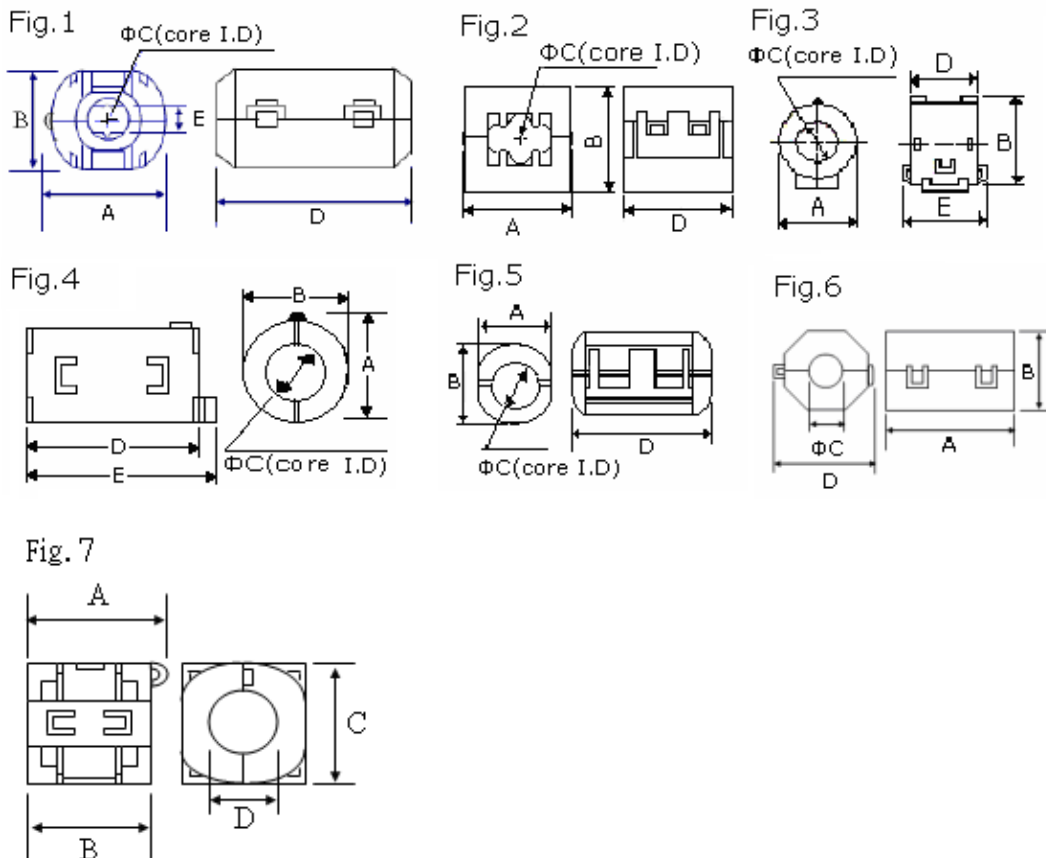
APPLICATIONS

- ◆ Internal and external power cables
- ◆ Internal cables between pc boards and data connectors
- ◆ Computer peripherals, for example digital camera, DVD, fax machine, monitor, printer, and power supply cables

ORDERING CODE



SHAPES



CORE MASTER ENTERPRISE CO., LTD.

<http://www.coremaster.com.tw>

ROUND CABLE EMI CORES / LF TYPE

DIMENSIONS (UNIT:mm)

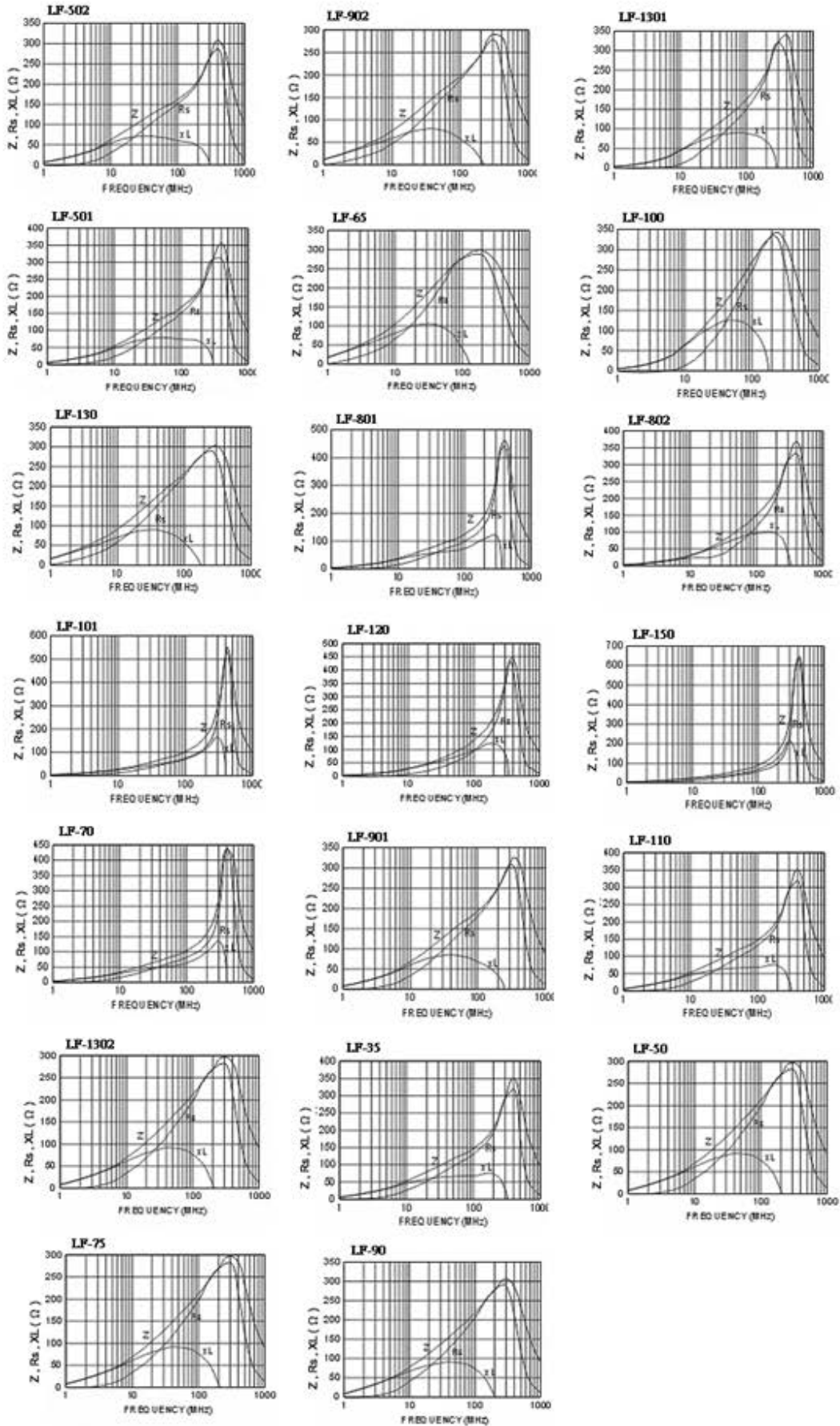
| Part No. | Fig. | A (±1) | B (±1) | C (±1) | D (±1) | E (±1) | Impedance (Ω) Min | | Use Cable Dia. Max |
|------------|------|-----------|-----------|-----------|-----------|-----------|----------------------|---------|--------------------------|
| | | | | | | | 25 MHz | 100 MHz | |
| LF-35 | 5 | 15.0 | 15.0 | 4.0 | 25.2 | --- | 55 | 95 | Φ4 |
| LF-50 | 5 | 16.5 | 16.5 | 5.2 | 29.5 | --- | 70 | 120 | Φ5 |
| LF-501 | 2 | 15.0 | 14.0 | 5.2 | 23.0 | --- | 70 | 120 | Φ5 |
| LF-502 | 1 | 13.0 | 11.8 | 5.0 | 25.5 | --- | 60 | 100 | Φ5 |
| LF-503 | 1 | 17.0 | 15.0 | 5.2 | 30.0 | --- | 130 | 210 | Φ5 |
| LF-60 | 6 | 18.5 | 14.0 | 6.0 | 15.5 | --- | 60 | 80 | Φ6 |
| LF-65 | 2 | 20.5 | 20.0 | 6.5 | 33.0 | --- | 120 | 200 | Φ6.5 |
| LF-70 | 4 | 15.5 | 14.0 | 7.0 | 18.0 | 22.0 | 40 | 75 | Φ7 |
| LF-702 | 1 | 17.0 | 15.0 | 7.0 | 30.0 | --- | 70 | 130 | Φ7 |
| LF-75 | 5 | 21.0 | 21.0 | 7.5 | 39.0 | --- | 90 | 150 | Φ7.5 |
| LF-801 | 3 | 19.5 | 23.0 | 8.1 | 17.0 | 23.0 | 42 | 85 | Φ8 |
| LF-802 | 3 | 19.5 | 23.0 | 8.1 | 20.0 | 26.0 | 50 | 110 | Φ8 |
| LF-90 | 7 | 21.0 | 17.0 | 20.0 | 9.0 | --- | 45 | 90 | Φ9 |
| LF-901 | 4 | 20.5 | 19.5 | 9.0 | 31.5 | 35.5 | 80 | 130 | Φ9 |
| LF-902 | 1 | 19.5 | 18.0 | 9.0 | 35.0 | --- | 80 | 130 | Φ9 |
| CT-0933 | 1 | 22.5 | 22.5 | 9.5 | 43.0 | --- | 105 | 190 | Φ9.5 |
| CT-0933-2B | 1 | 22.0 | 23.5 | 12.2 | 43.0 | --- | 100 | 180 | Φ12 |
| LF-100 | 2 | 25.5± 1.0 | 23.5± 1.0 | 10.0± 0.5 | 33.0± 1.0 | --- | 80 | 130 | Φ10 |
| LF-101 | 3 | 24.5± 1.0 | 28.5± 1.0 | 10.2± 0.5 | 13.5± 1.0 | 20.0± 1.0 | 35 | 75 | Φ10 |
| LF-102 | 1 | 21.5± 1.0 | 20.0± 1.0 | 10.0± 1.0 | 35.0± 1.0 | --- | 144 | 240 | Φ10 |
| LF-103 | 4 | 20.5± 1.0 | 20.5± 1.0 | 10.0± 0.5 | 32.0± 1.0 | 36.0± 1.0 | 100 | 160 | Φ10 |
| LF-110 | 4 | 20.5± 1.0 | 21.0± 1.0 | 11.0± 0.5 | 32.0± 1.0 | 36.0± 1.0 | 60 | 110 | Φ11 |
| LF-1101 | 1 | 21.0± 1.0 | 20.0± 1.0 | 11.0± 0.5 | 36.0± 1.0 | --- | 80 | 170 | Φ11 |
| LF-120 | 3 | 28.0± 1.0 | 32.0± 1.0 | 11.5± 0.5 | 18.0± 1.0 | 24.0± 1.0 | 50 | 100 | Φ11.5 |
| LF-130 | 2 | 32.5± 1.0 | 30.0± 1.0 | 13.0± 0.5 | 33.0± 1.0 | --- | 105 | 170 | Φ13 |
| LF-1301 | 1 | 23.5± 1.0 | 22.5± 1.0 | 13.0± 0.5 | 36.0± 1.0 | --- | 70 | 120 | Φ13 |
| LF-1302 | 4 | 31.5± 1.0 | 30.5± 1.0 | 13.0± 0.5 | 34.0± 1.0 | 39.5± 1.0 | 80 | 130 | Φ13 |
| LF-150 | 3 | 29.0± 1.0 | 33.0± 1.0 | 15.0± 0.5 | 15.5± 1.0 | 21.5± 1.0 | 30 | 70 | Φ15 |
| LF-190 | 2 | 29.5± 1.0 | 29.4± 1.0 | 19.4± 0.5 | 42.0± 1.0 | --- | 90 | 160 | Φ19 |



CORE MASTER ENTERPRISE CO., LTD.

<http://www.coremaster.com.tw>

ROUND CABLE EMI CORES / LF TYPE



CORE MASTER ENTERPRISE CO., LTD.

<http://www.coremaster.com.tw>