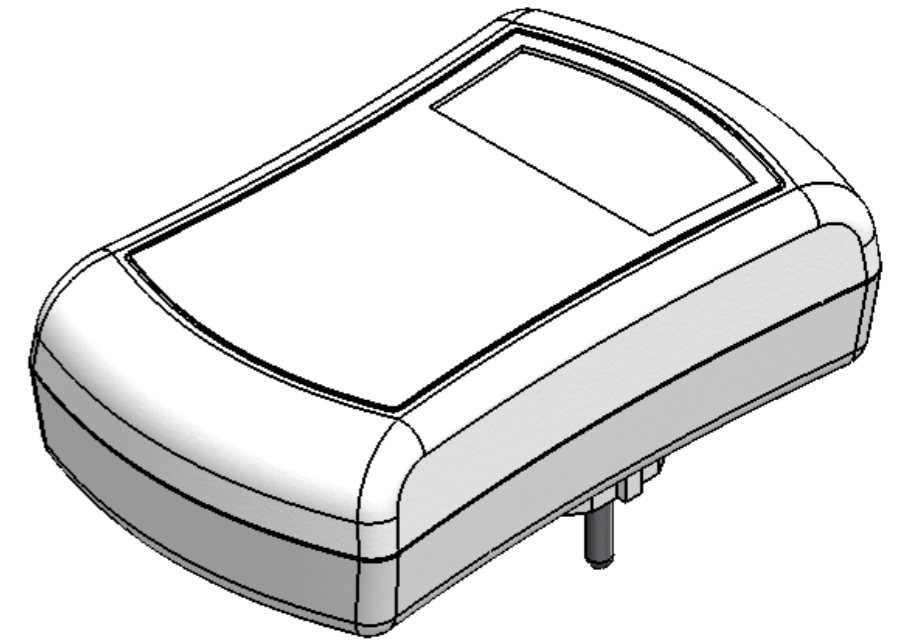
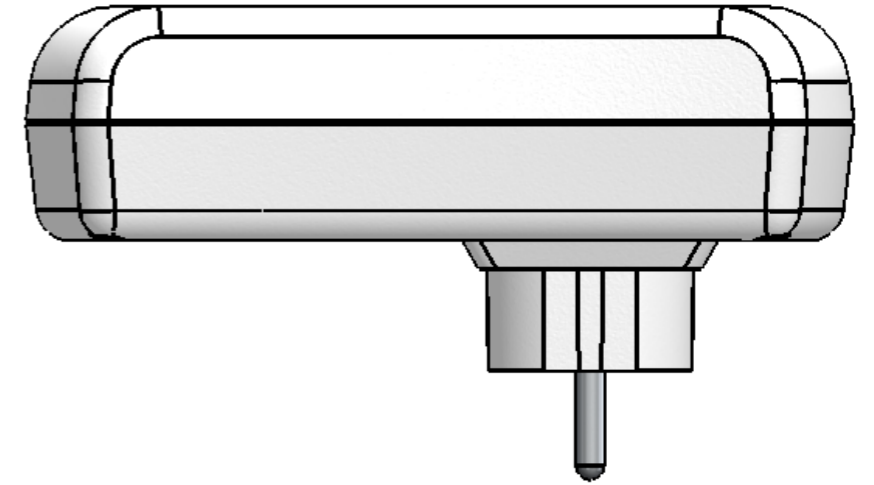
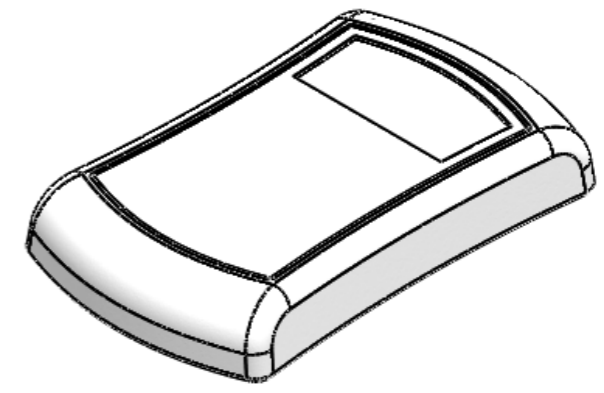
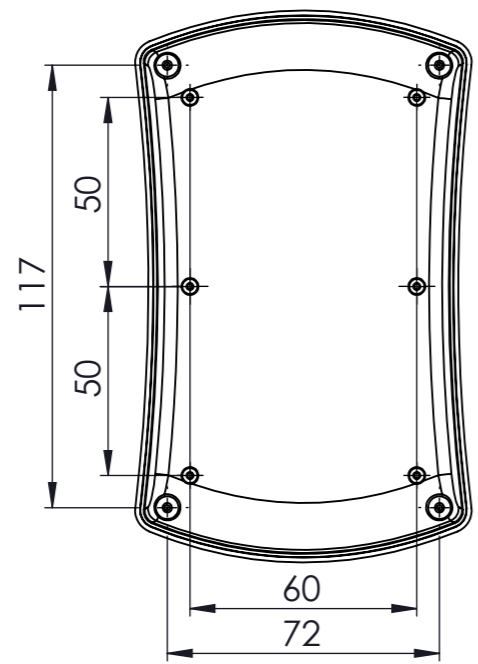
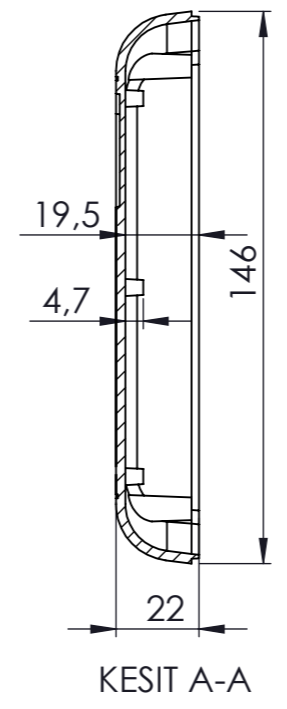
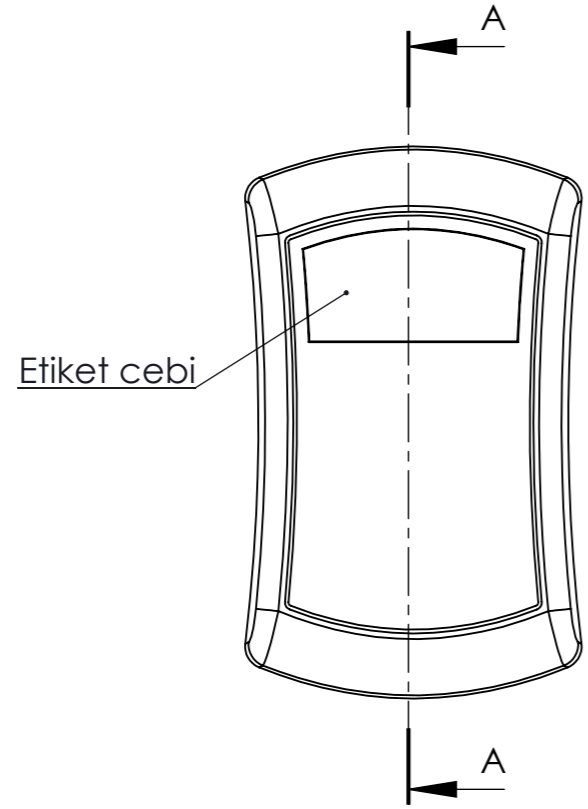


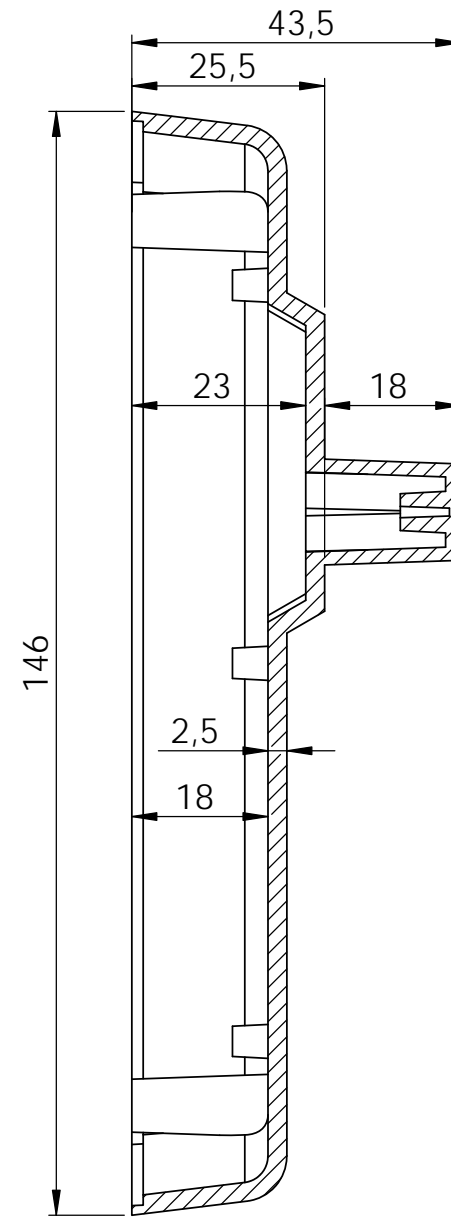
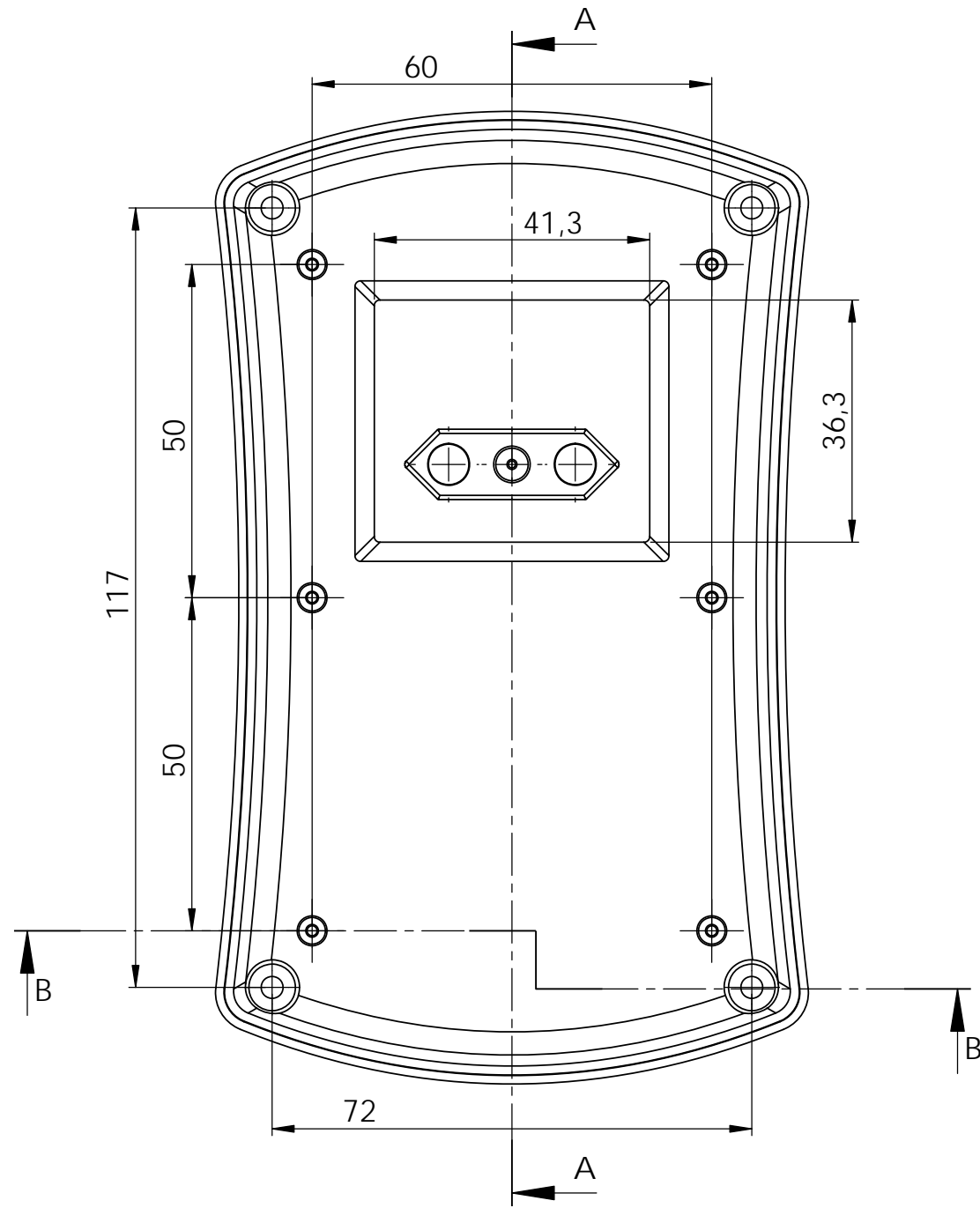
KESIT A-A



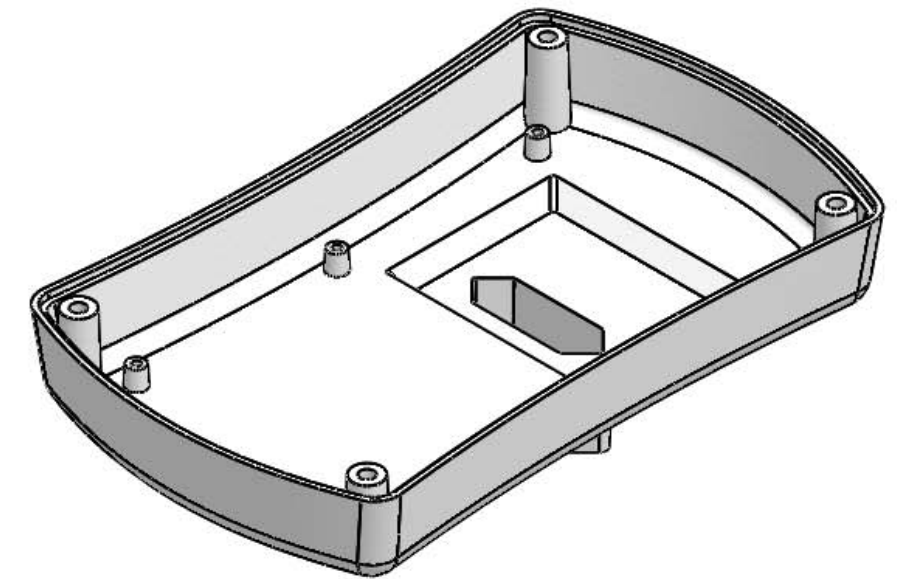
<small>PROPRIETARY AND CONFIDENTIAL THE INFORMATION CONTAINED IN THIS DRAWING IS THE SOLE PROPERTY OF ALTINKAYA ENCLOSURES. ANY REPRODUCTION IN PART OR AS A WHOLE WITHOUT THE WRITTEN PERMISSION OF ALTINKAYA ENCLOSURES IS PROHIBITED.</small>			ARTICLE NO:	REVISION:						
<table border="1"> <tr> <th>NAME</th> <th>DATE</th> </tr> <tr> <td>DURSUN DAŞDEMİR</td> <td></td> </tr> <tr> <td>ALİ ALTINŞIK</td> <td></td> </tr> </table>	NAME	DATE	DURSUN DAŞDEMİR		ALİ ALTINŞIK		TITLE:		AD-140-A Adaptör Kutusu Topraksız Fiş	
NAME	DATE									
DURSUN DAŞDEMİR										
ALİ ALTINŞIK										
COMMENTS:	DWG NO:		A3							
MATERIAL:	SCALE:1:1		SHEET 1 OF 1							
WEIGHT:										



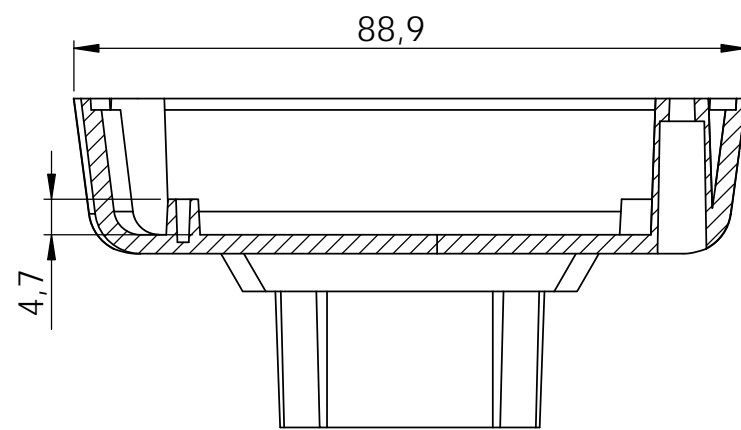
<small>PROPRIETARY AND CONFIDENTIAL THE INFORMATION CONTAINED IN THIS DRAWING IS THE SOLE PROPERTY OF ALTINKAYA ENCLOSURES. ANY REPRODUCTION IN PART OR AS A WHOLE WITHOUT THE WRITTEN PERMISSION OF ALTINKAYA ENCLOSURES IS PROHIBITED.</small>			ARTICLE NO.:	REVISION:								
<table border="1"> <tr> <th>NAME</th> <th>DATE</th> </tr> <tr> <td>Dursun Daşdemir</td> <td></td> </tr> </table>	NAME	DATE	Dursun Daşdemir		<table border="1"> <tr> <th>CHECKED</th> <th>DATE</th> </tr> <tr> <td>Ali Altınışık</td> <td></td> </tr> </table>	CHECKED	DATE	Ali Altınışık		TITLE:		
NAME	DATE											
Dursun Daşdemir												
CHECKED	DATE											
Ali Altınışık												
COMMENTS:			<h2 style="text-align: center;">AD-140-A Cover AD-140-B Cover</h2>									
MATERIAL:												
WEIGHT:			DWG NO. AD-140-P-1-G-0	A3								
			SCALE:1:2	SHEET 1 OF 1								



KESIT A-A

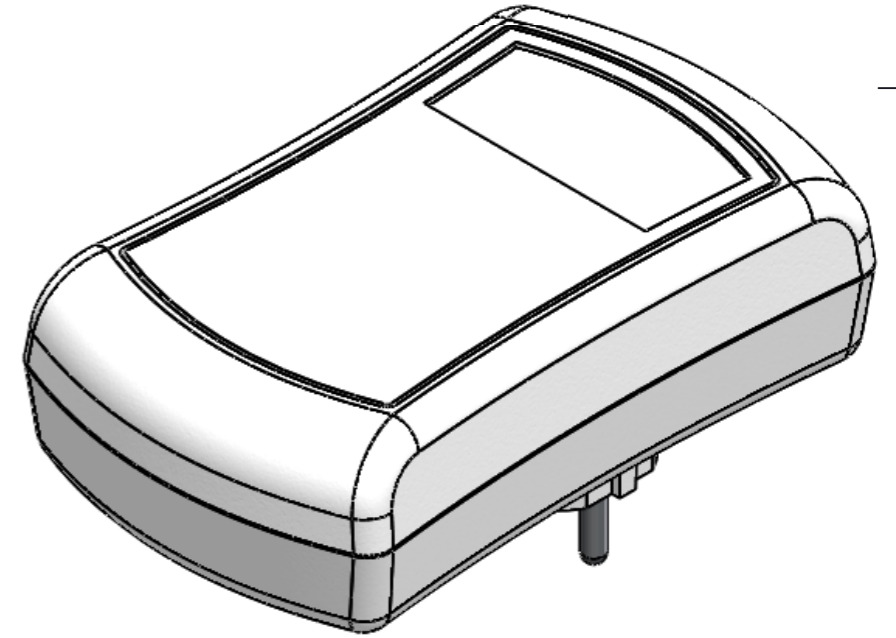
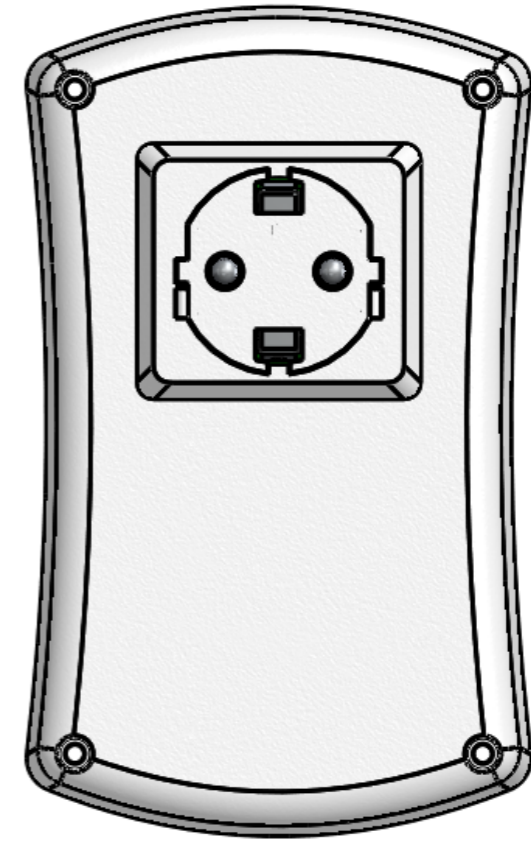
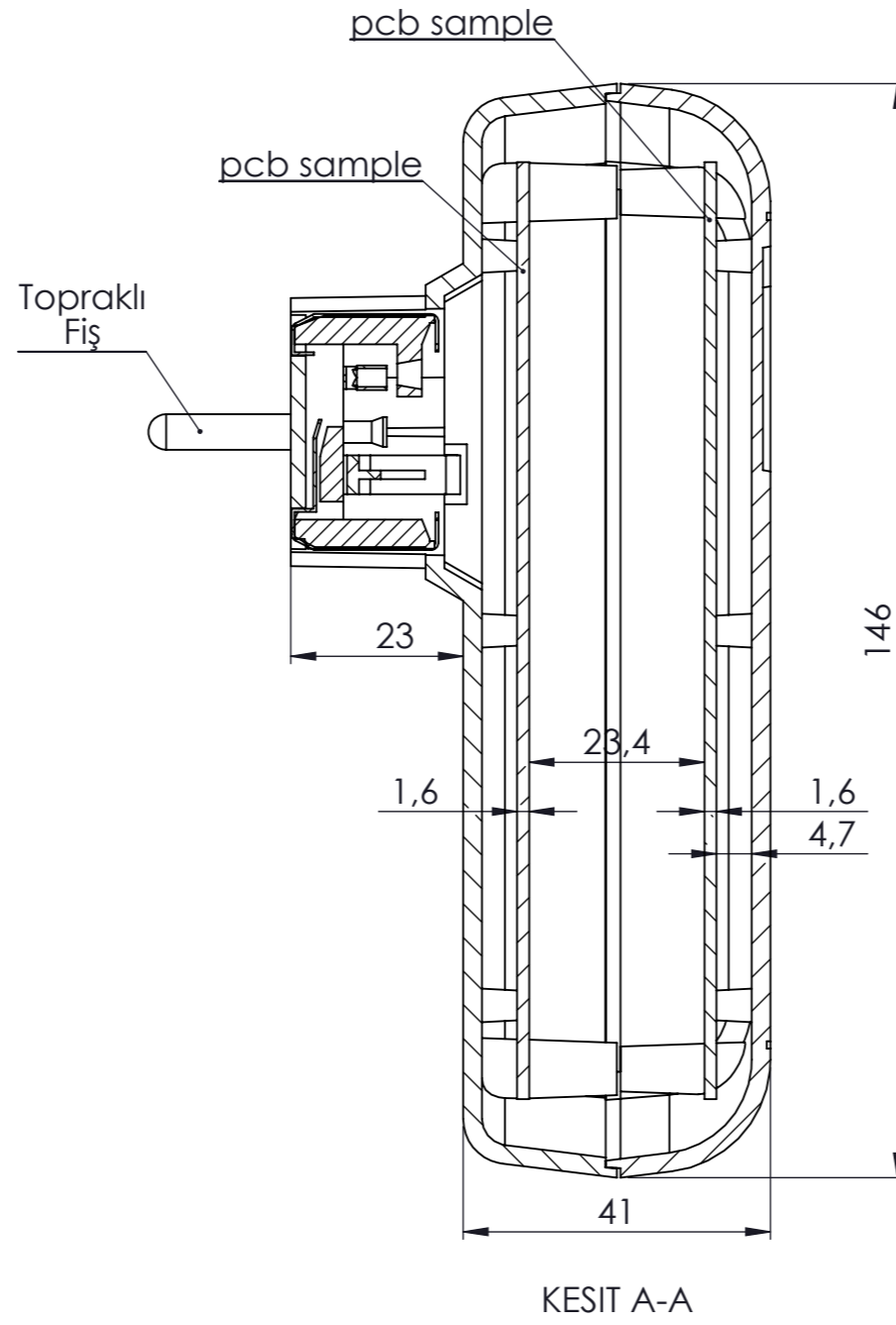
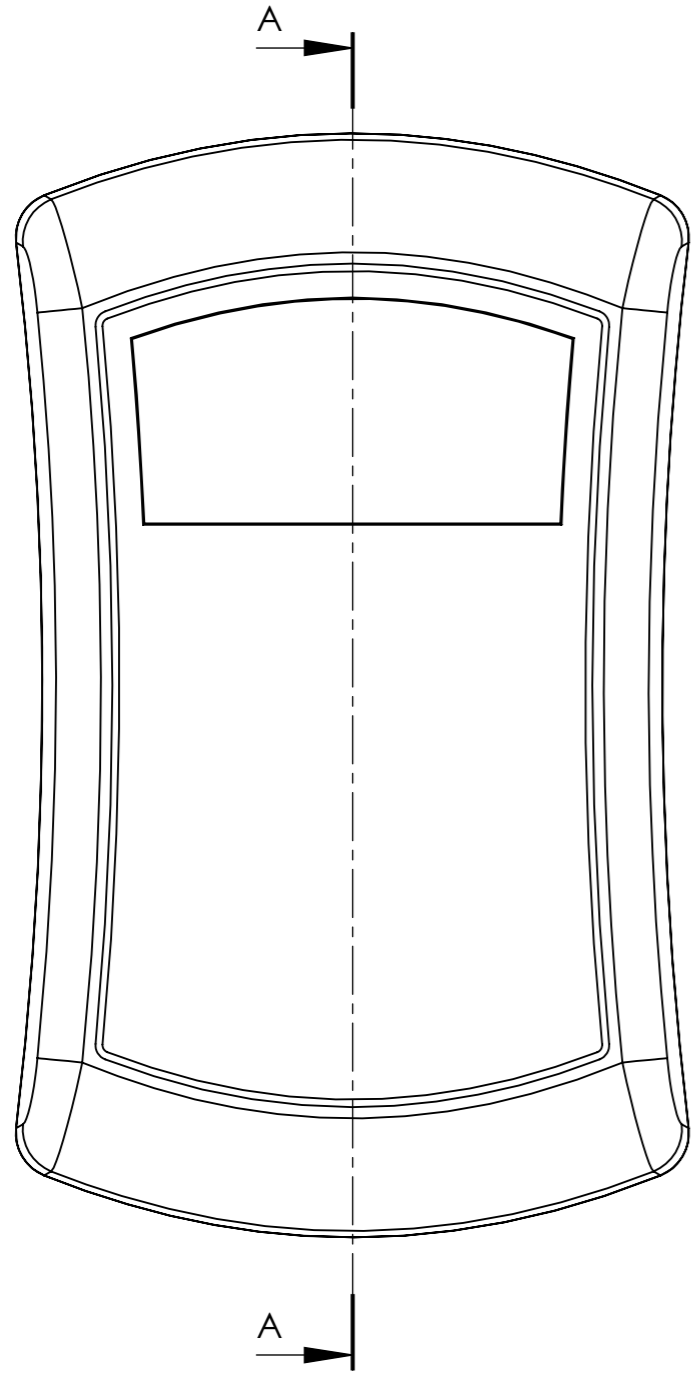


AD-140-A

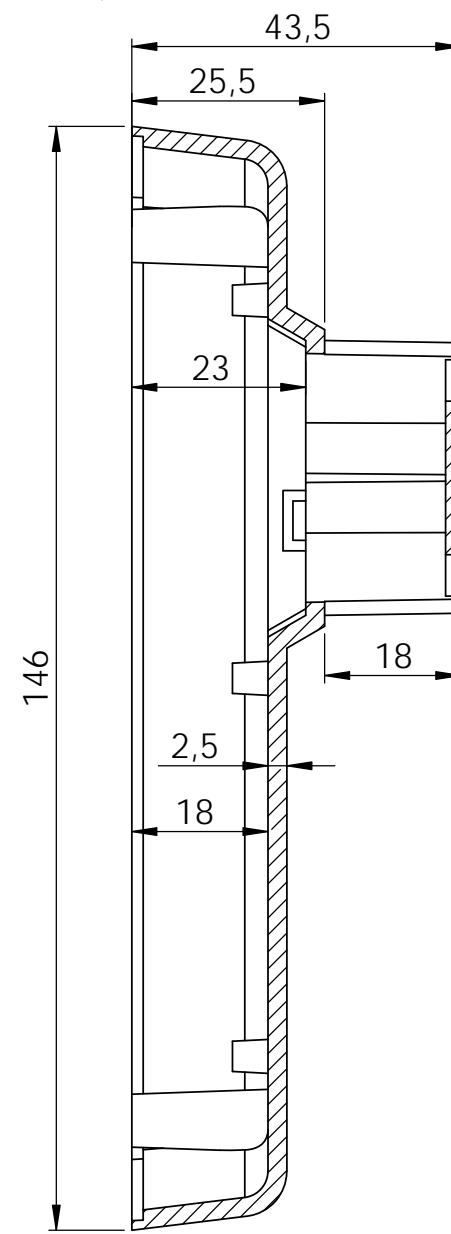
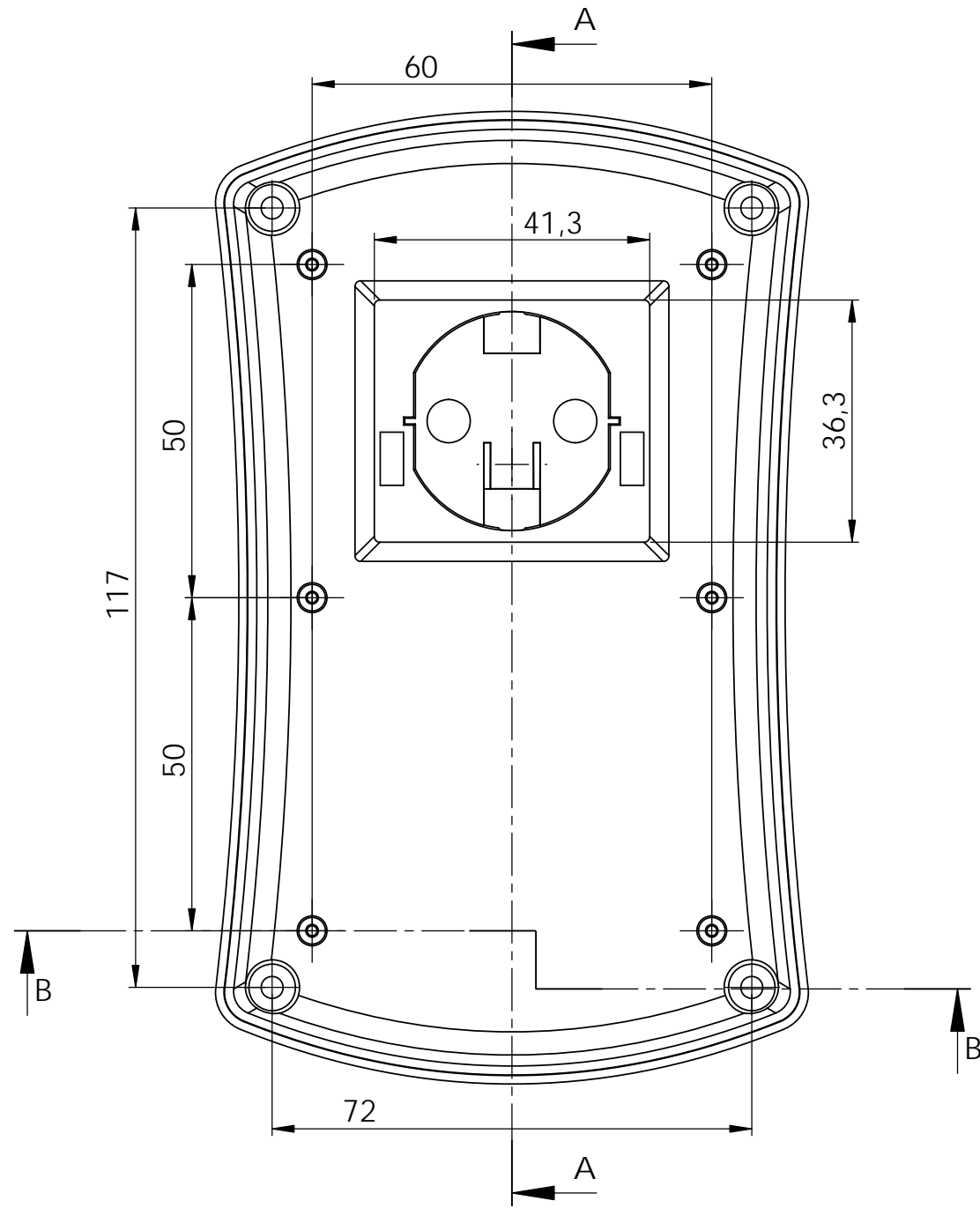


KESIT B-B

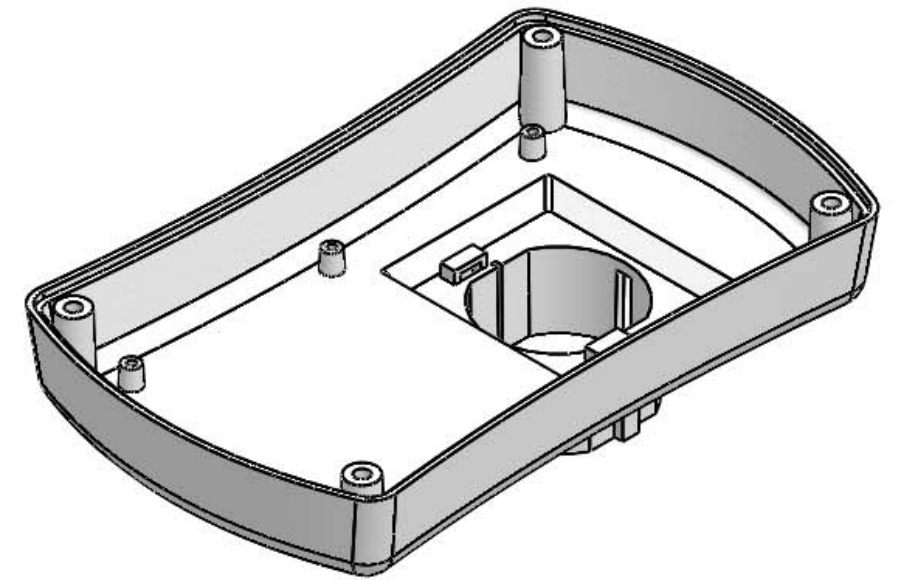
<small>PROPRIETARY AND CONFIDENTIAL THE INFORMATION CONTAINED IN THIS DRAWING IS THE SOLE PROPERTY OF ALTINKAYA ENCLOSURES. ANY REPRODUCTION IN PART OR AS A WHOLE WITHOUT THE WRITTEN PERMISSION OF ALTINKAYA ENCLOSURES IS PROHIBITED.</small>		KARTAL TOMASYON www.kartalotomasyon.com.tr		REVISION:
DRAWN	Dursun Daşdemir	DATE		
CHECKED	Ali Altınışık			
COMMENTS:		AD-140-A Base		
MATERIAL:				
WEIGHT:		DWG NO.	AD-140-P-2-G-0	A3
SCALE:1:1		SHEET 1 OF 1		



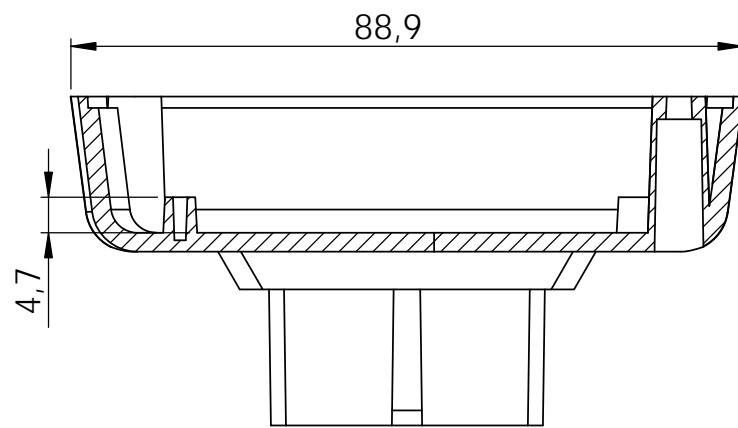
<small>PROPRIETARY AND CONFIDENTIAL THE INFORMATION CONTAINED IN THIS DRAWING IS THE SOLE PROPERTY OF ALTINKAYA ENCLOSURES. ANY REPRODUCTION IN PART OR AS A WHOLE WITHOUT THE WRITTEN PERMISSION OF ALTINKAYA ENCLOSURES IS PROHIBITED.</small>		ARTICLE NO.	REVISION:						
<table border="1"> <tr> <th>NAME</th> <th>DATE</th> </tr> <tr> <td>DRAWN Dursun Daşdemir</td> <td></td> </tr> <tr> <td>CHECKED Ali Altınışık</td> <td></td> </tr> </table>	NAME	DATE	DRAWN Dursun Daşdemir		CHECKED Ali Altınışık		<p style="text-align: center;">AD-140-B Adaptör Kutusu Topraklı Fiş</p>		
NAME	DATE								
DRAWN Dursun Daşdemir									
CHECKED Ali Altınışık									
MATERIAL:	DWG NO.	AD-140-B-0-G-0	A3						
WEIGHT:	SCALE:1:1	SHEET 1 OF 1							



KESIT A-A



AD-140-B



KESIT B-B

PROPRIETARY AND CONFIDENTIAL
THE INFORMATION CONTAINED IN THIS
DRAWING IS THE SOLE PROPERTY OF
ALTINKAYA ENCLOSURES. ANY
REPRODUCTION IN PART OR AS A WHOLE
WITHOUT THE WRITTEN PERMISSION OF
ALTINKAYA ENCLOSURES IS PROHIBITED.

	NAME	DATE
DRAWN	Dursun Daşdemir	
CHECKED	Ali Altınışık	

COMMENTS:

MATERIAL:

WEIGHT:

KARTAL
TOMASYON

www.kartalotomasyon.com.tr

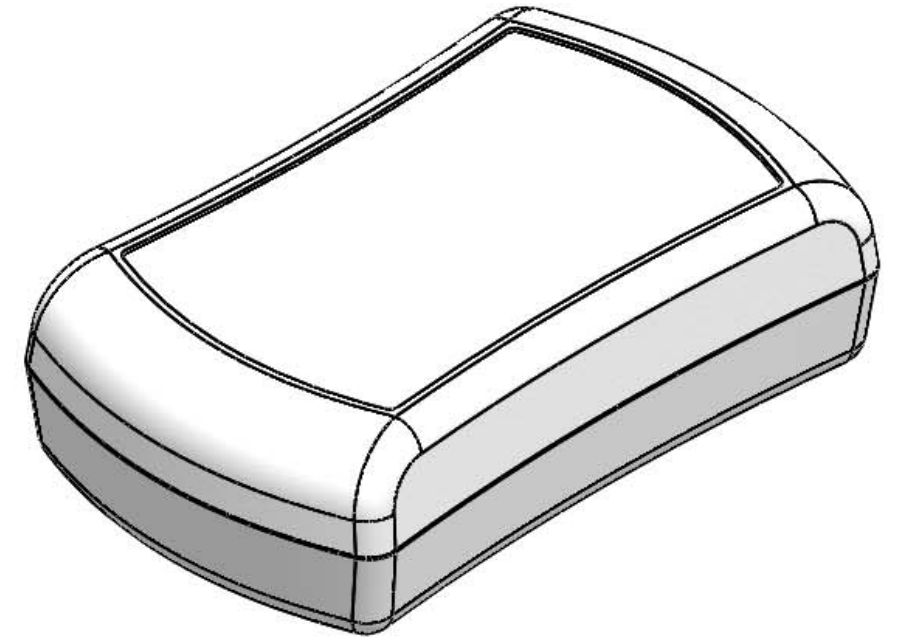
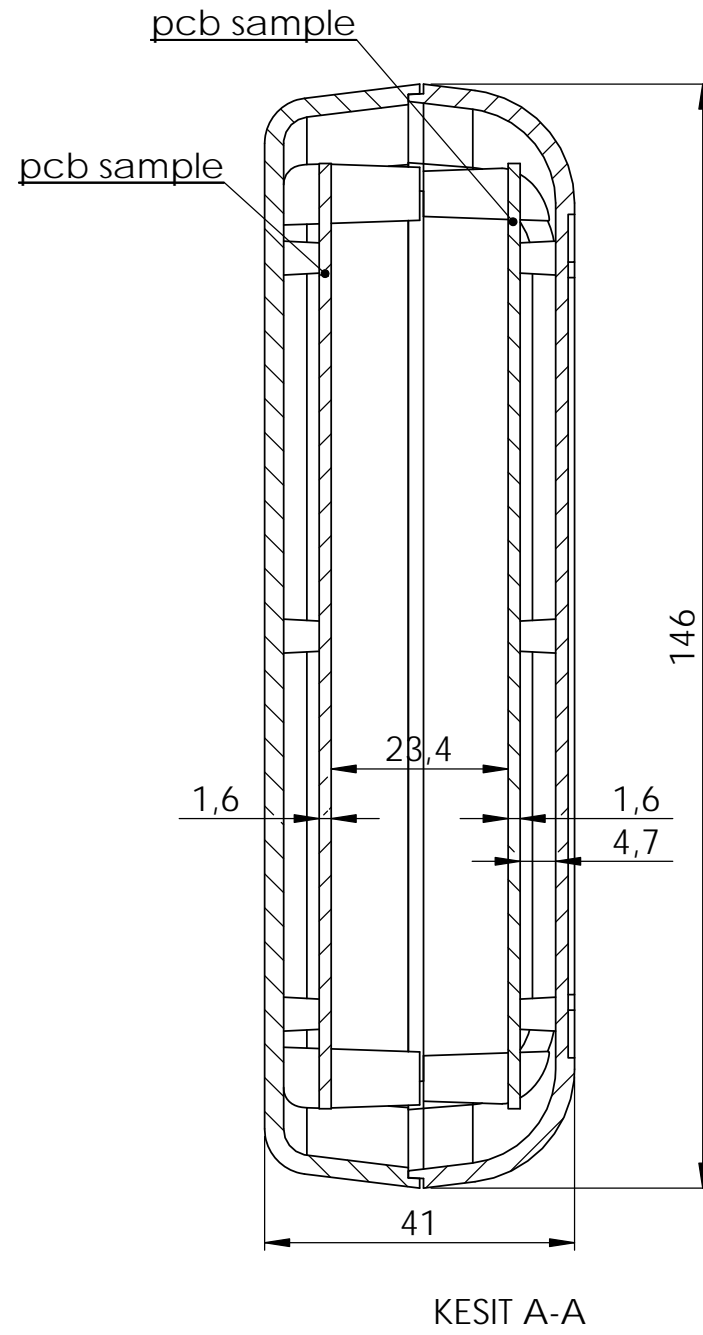
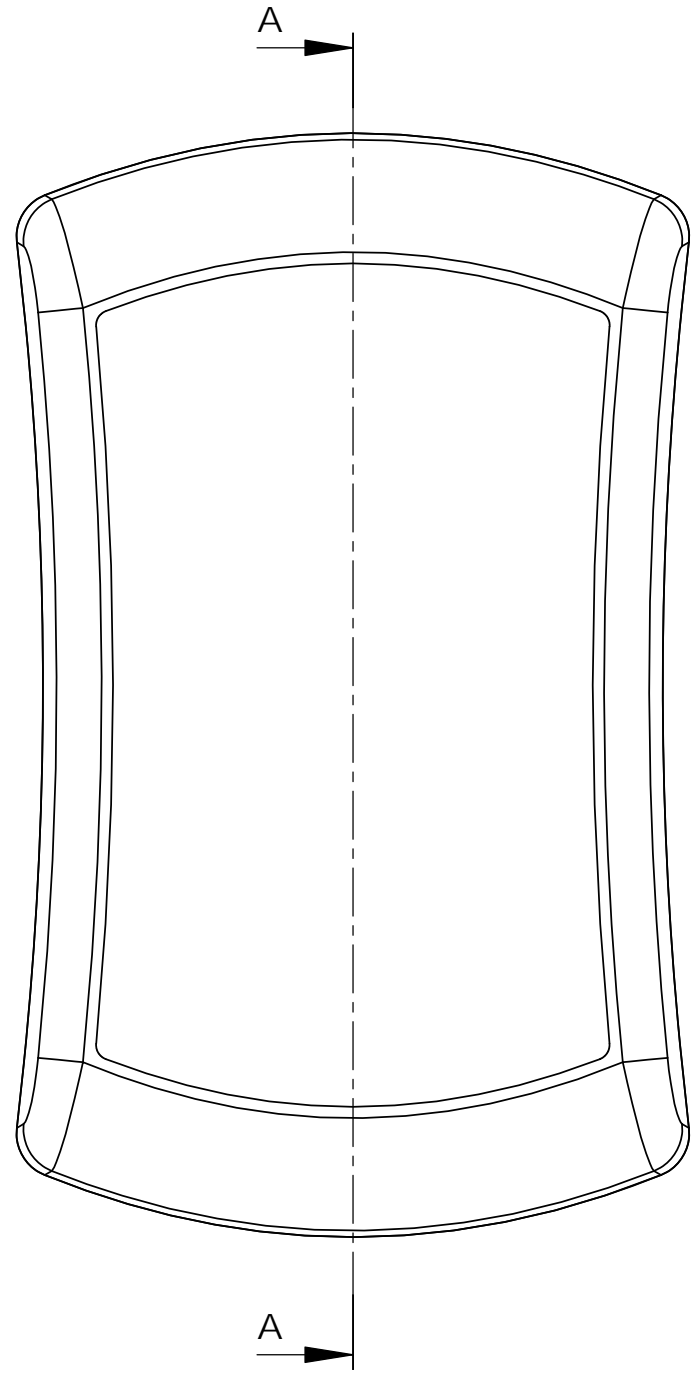
DWG NO. **AD-140-P-2-G-0**

A3

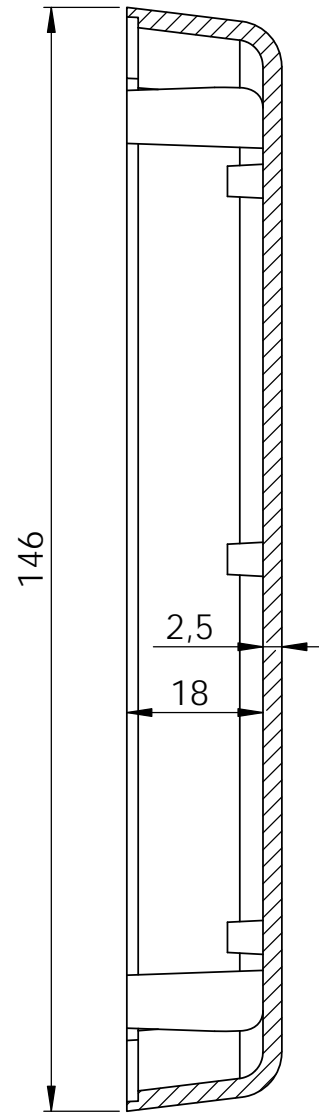
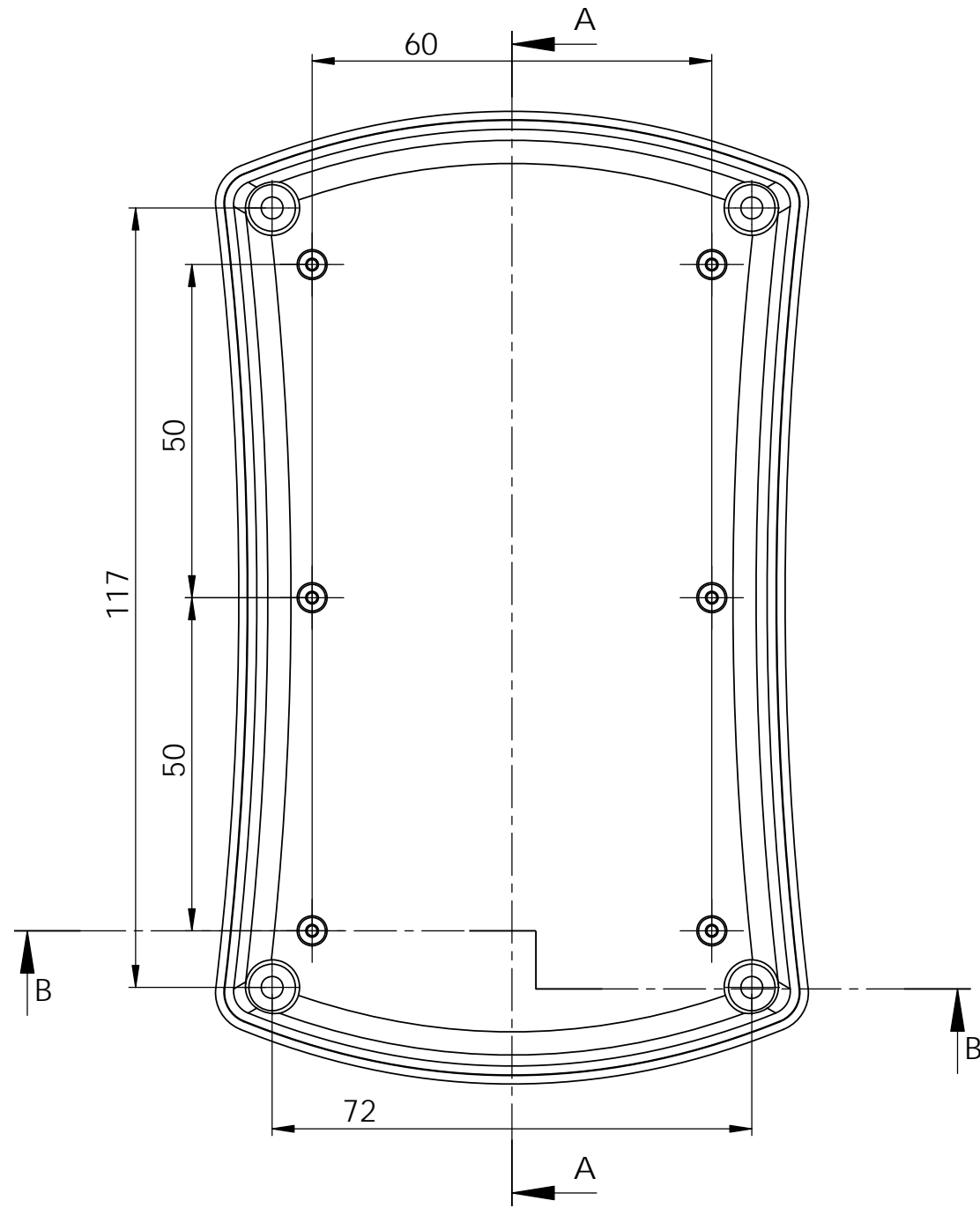
SCALE:1:1

SHEET 1 OF 1

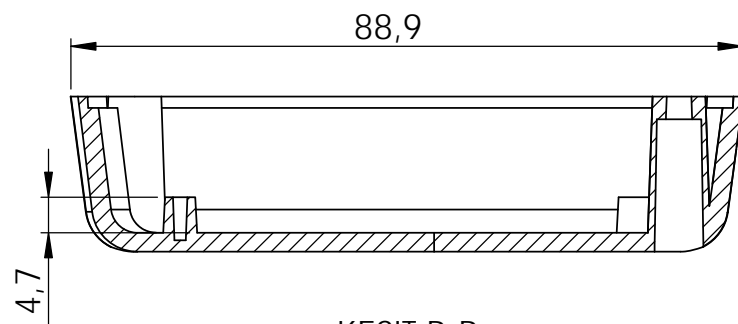




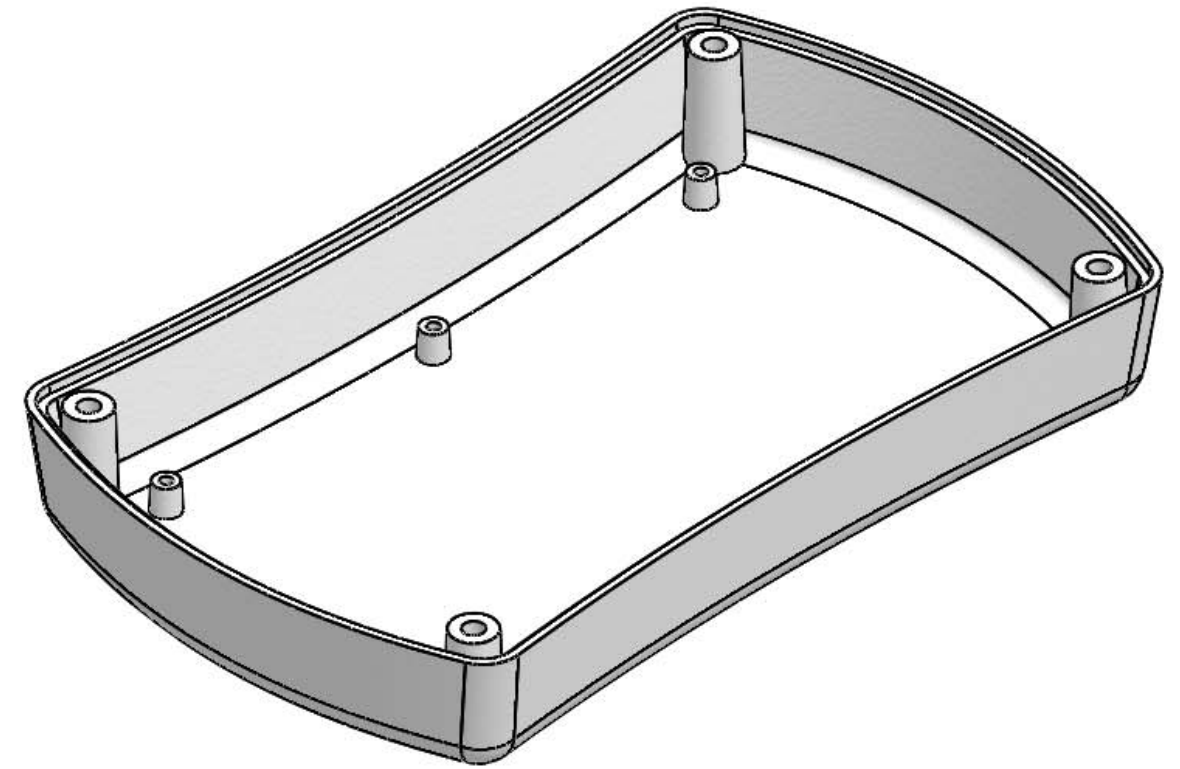
<small>PROPRIETARY AND CONFIDENTIAL THE INFORMATION CONTAINED IN THIS DRAWING IS THE SOLE PROPERTY OF ALTINKAYA ENCLLOSURES. ANY REPRODUCTION IN PART OR AS A WHOLE WITHOUT THE WRITTEN PERMISSION OF ALTINKAYA ENCLLOSURES IS PROHIBITED.</small>		ARTICLE NO.:	REVISION:						
<table border="1"> <tr> <th>NAME</th> <th>DATE</th> </tr> <tr> <td>Dursun Daşdemir</td> <td></td> </tr> <tr> <td>Ali Altınışık</td> <td></td> </tr> </table>		NAME	DATE	Dursun Daşdemir		Ali Altınışık		 www.kartalotomasyon.com.tr	
NAME	DATE								
Dursun Daşdemir									
Ali Altınışık									
<table border="1"> <tr> <td>DRAWN</td> <td>Dursun Daşdemir</td> </tr> <tr> <td>CHECKED</td> <td>Ali Altınışık</td> </tr> </table>		DRAWN	Dursun Daşdemir	CHECKED	Ali Altınışık				
DRAWN	Dursun Daşdemir								
CHECKED	Ali Altınışık								
COMMENTS:		DWG NO. AD-140-C-0-G-0	A3						
MATERIAL:		SCALE:1:1	SHEET 1 OF 1						
WEIGHT:									



KESIT A-A

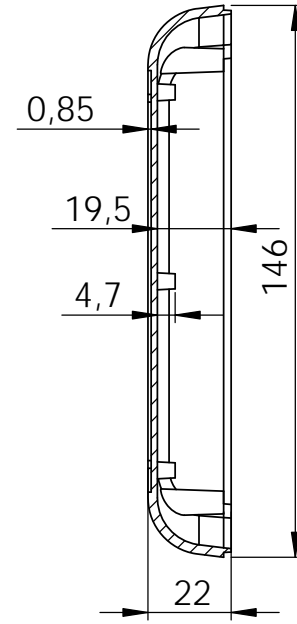
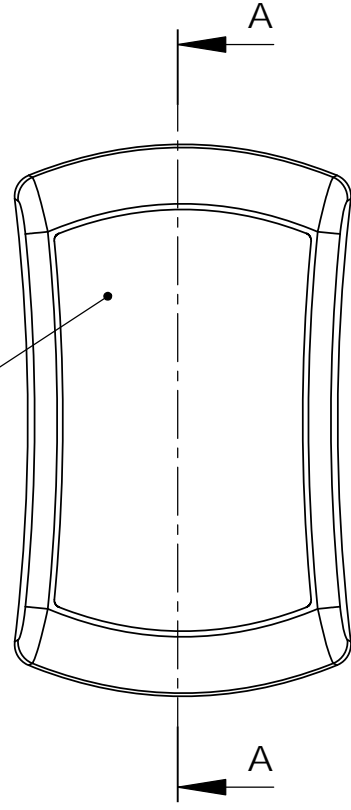


KESIT B-B

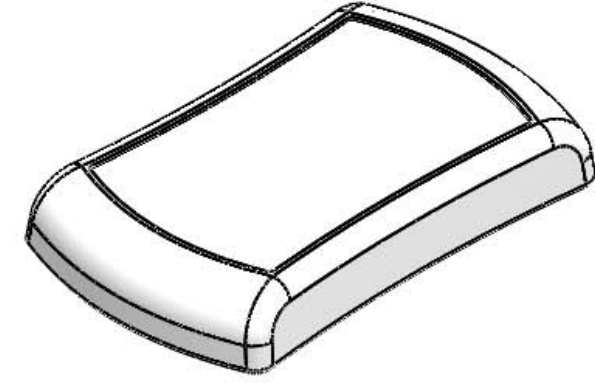
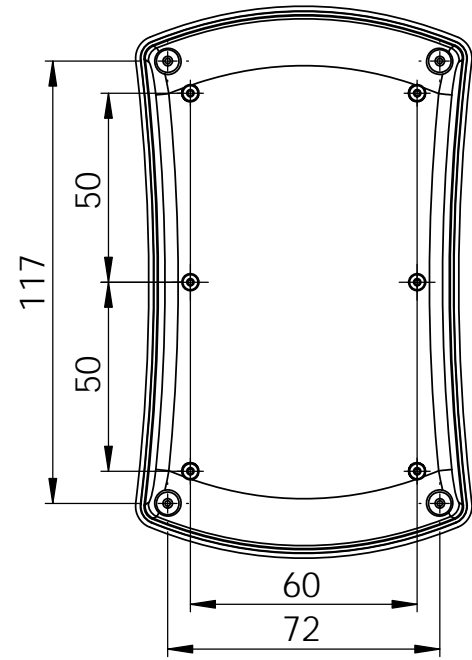


<small>PROPRIETARY AND CONFIDENTIAL THE INFORMATION CONTAINED IN THIS DRAWING IS THE SOLE PROPERTY OF ALTINKAYA ENCLOSURES. ANY REPRODUCTION IN PART OR AS A WHOLE WITHOUT THE WRITTEN PERMISSION OF ALTINKAYA ENCLOSURES IS PROHIBITED.</small>		ARTICLE NO.:	REVISION:
DRAWN	Dursun Daşdemir	DATE	
CHECKED	Ali Altınışık		
COMMENTS:			
MATERIAL:		DWG NO.	A3
WEIGHT:		SCALE:1:1	SHEET 1 OF 1
		 www.kartalotomasyon.com.tr	
		AD-140-P-2-G-0	

Etiket Cebi



KESIT A-A



PROPRIETARY AND CONFIDENTIAL.
THE INFORMATION CONTAINED IN THIS
DRAWING IS THE SOLE PROPERTY OF
ALTINKAYA ENCLOSURES. ANY
REPRODUCTION IN PART OR AS A WHOLE
WITHOUT THE WRITTEN PERMISSION OF
ALTINKAYA ENCLOSURES IS PROHIBITED.

	NAME	DATE
DRAWN	Dursun Daşdemir	
CHECKED	Ali Altınışık	

CHECKED Ali Altınışık

COMMENTS:

MATERIAL:

WEIGHT:

ARTICLE NO:

REVISION:

KARTAL
TOMASYON
www.kartalotomasyon.com.tr
AD-140-P-1-G-0

SCALE:1:2

SHEET 1 OF 1

A3



1

2

3

4

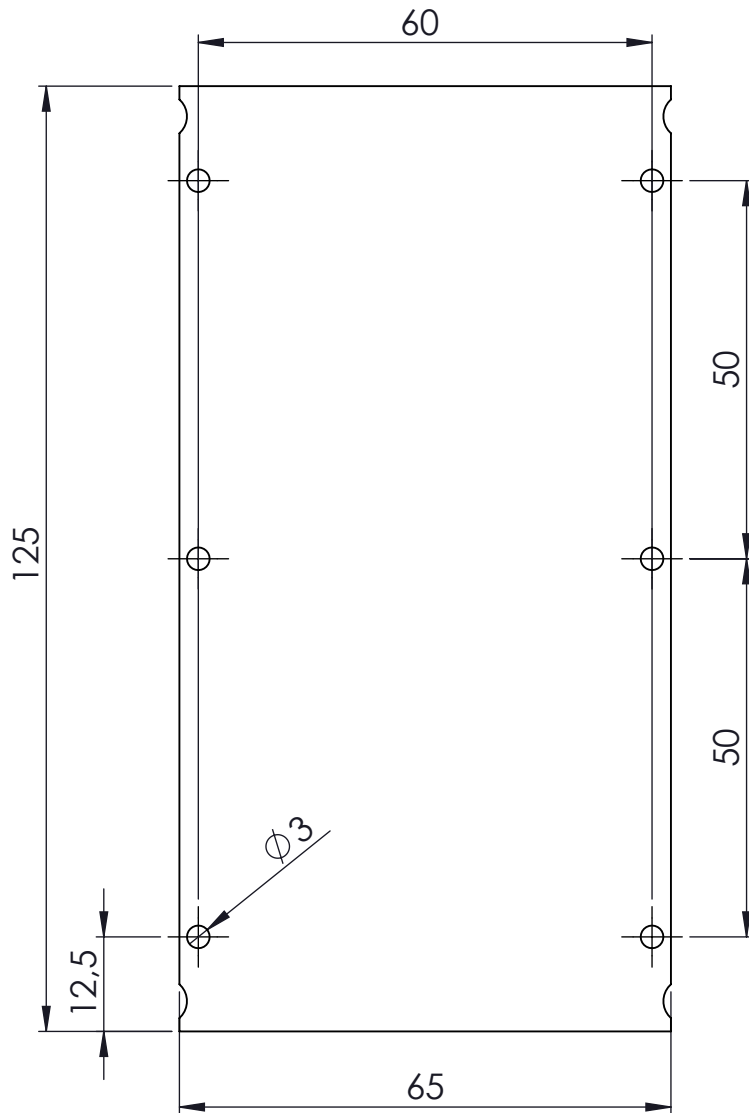
A

B

C

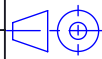
D

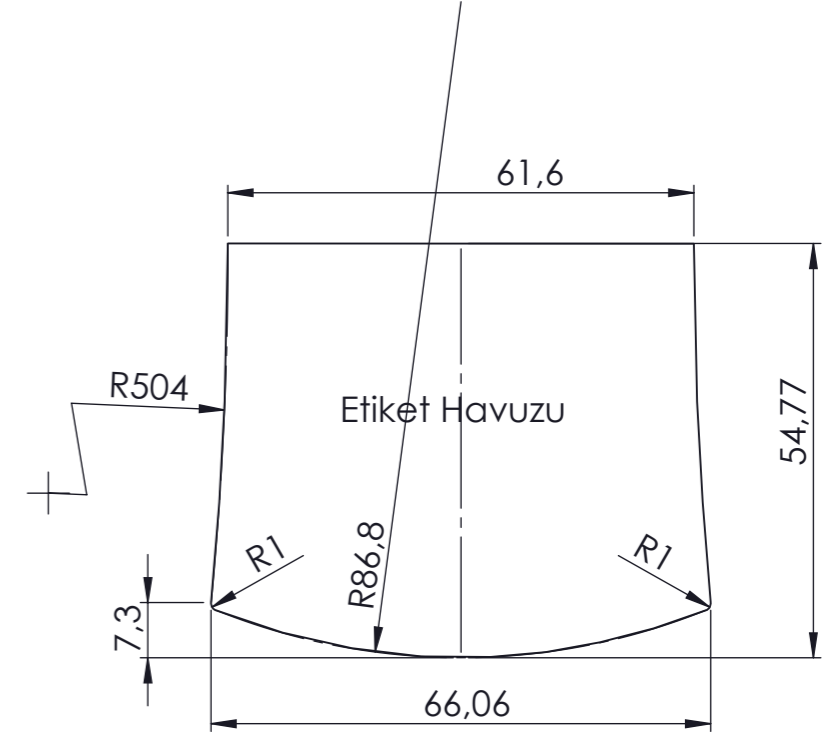
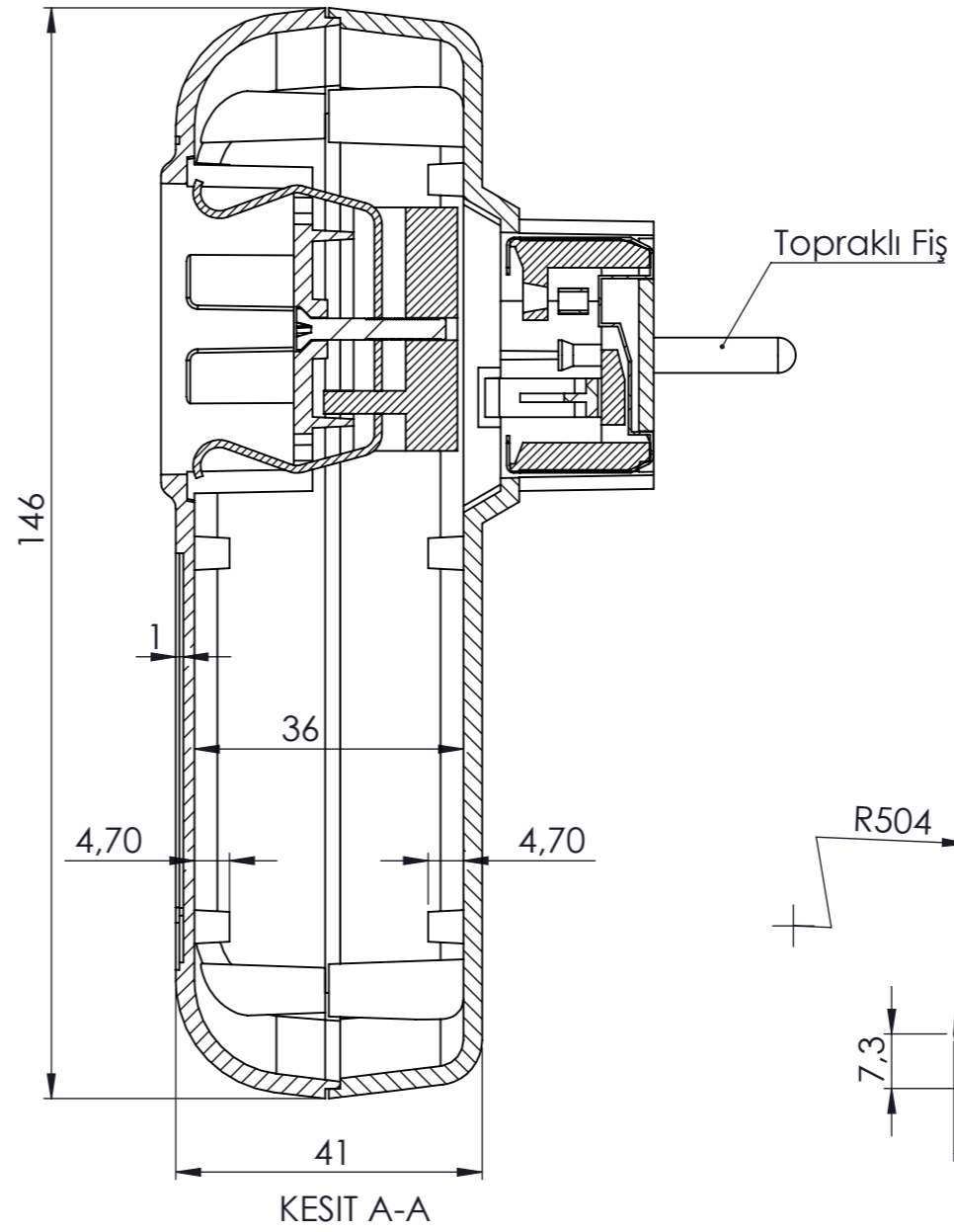
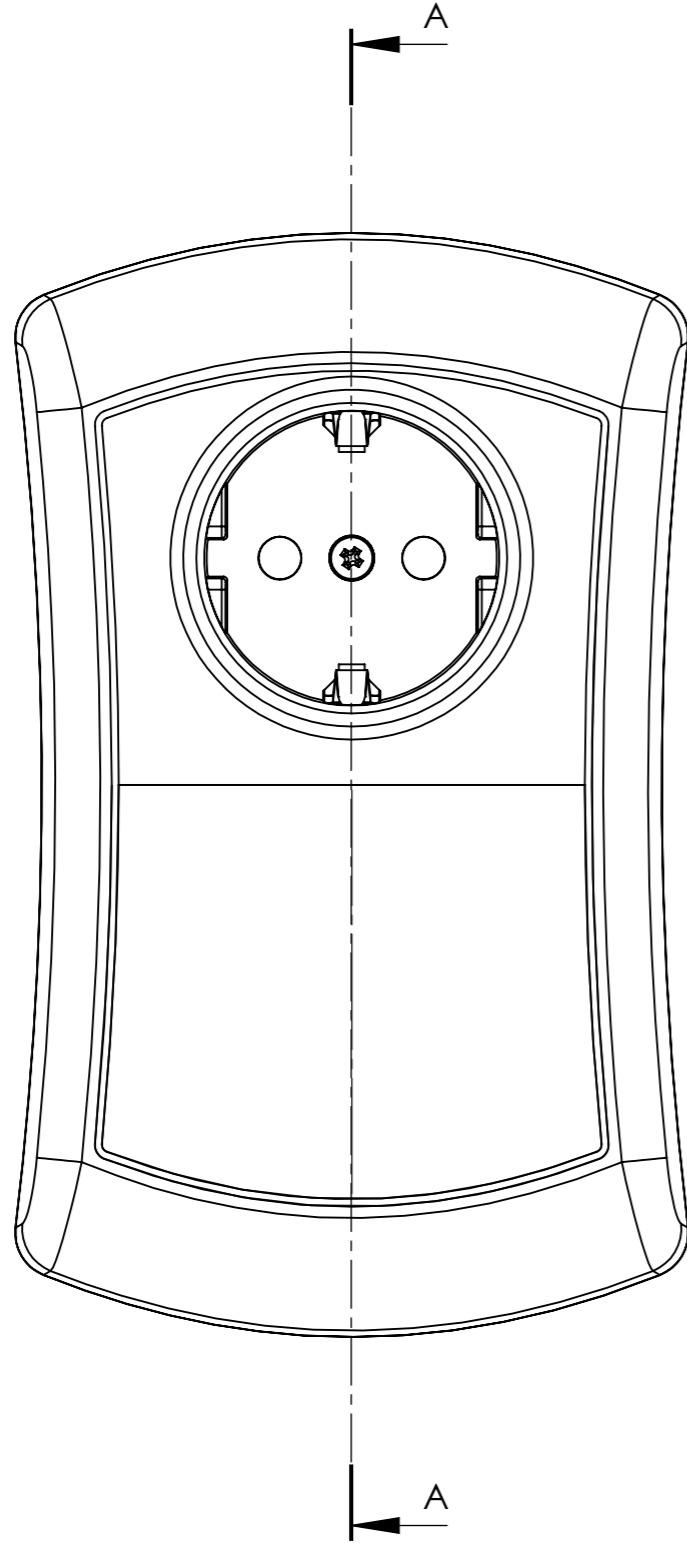
E



F

NAME	DATE	ARTICLE NO:	REVISION:	TITLE:
DURUN DAŞDEMİR				
ALİ ALTINŞIK		COMMENTS:		
KARTAL TOMASYON www.kartalotomasyon.com.tr			ILLIMETERS, ARP EDGES	
DWG NO.			pcb_sample	A4
WEIGHT:			SCALE:1:1	SHEET 1 OF 1





DİKKAT: BU RESİM VE ÜRÜN ÖNCEDEN HABER VERİLMEKSİZİN DEĞİŞTİREBİLİR. RESİM ÇİZİLMİŞ HATASIZ OLMASINA ÇALIŞILMASINA RAĞMEN RESİMDEKİ HATALAR BULUNABİLİR. RESİMDEKİ HATALARDAN DOLAYI OLUŞABİLECEK ZARARLAR İÇİN ALTINKAYA HiÇ BİR SORUMLULUK KABUL ETMEZ. BÜTÜN ÖLÇÜLER KULLANILMADAN ÖNCE ÜRETİLMİŞ GERÇEK NÜMUNEDEN KONTROL EDİLMELİDİR.

PROPRIETARY AND CONFIDENTIAL. THE INFORMATION CONTAINED IN THIS DRAWING IS THE SOLE PROPERTY OF ALTINKAYA ENCLOSURES. ANY REPRODUCTION IN PART OR AS A WHOLE WITHOUT THE WRITTEN PERMISSION OF ALTINKAYA ENCLOSURES IS PROHIBITED.

NAME	DATE
Dursun Daşdemir	
Ali Altınışık	

COMMENTS: This drawing is subject to technical modification without prior notice. Typographical and other errors do not justify any claims for damages. All dimensions should be verified using an actual produced part.

MATERIAL:

WEIGHT:

ARTICLE NO: REVISION:



AD-140-D

SCALE:1:1 SHEET 1 OF 1

A3

